

PROPRIETARY INFORMATION
COMPANY CONFIDENTIAL

REV.	ECN.	NO.	DESCRIPTION	ENG	DATE
A			INITIAL	ANDY	10/17/17'
B			SHAPE STRUCTURE OPTIMIZATION	ANDY	11/2/17'
C			SHAPE STRUCTURE OPTIMIZATION	ANDY	05/08/17'
D			UPDATE DRAWING	Ethan	10/07/24'

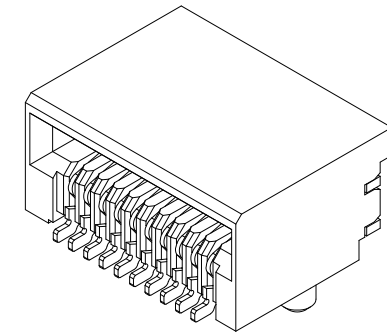
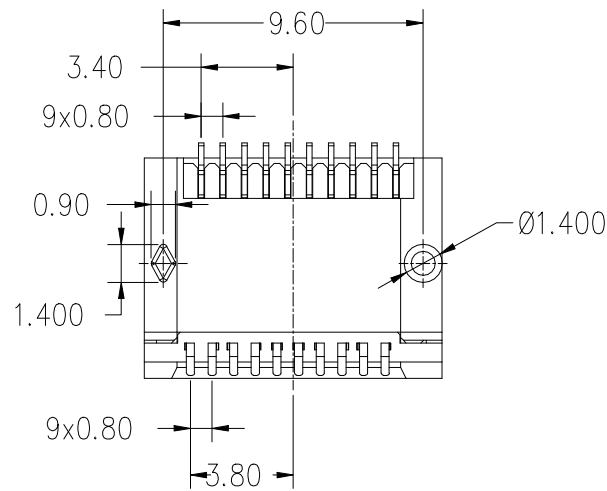
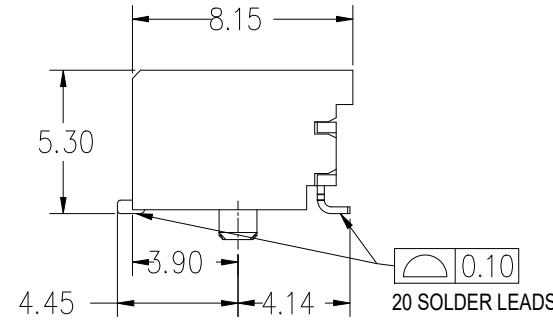
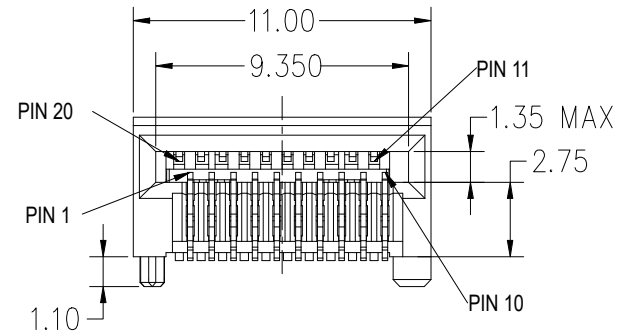
NOTE:

MECHANICAL REQUIREMENT:

1. DURABILITY: 100 CYCLES MIN.
2. INSERTION AND EXTRACTION FORCE: 40N MAX & 11.5N MAX

ENVIRONMENTAL:

1. CONTACT RESISTANCE: 20 MILLIOHMS MAX INITIAL.
2. DIELECTRIC WITHSTANDING VOLTAGE: 300V AC/MIN.
3. OPERATION: $-40^{\circ}\text{C} \sim +85^{\circ}\text{C}$.
4. STORAGE: $-55^{\circ}\text{C} \sim +105^{\circ}\text{C}$.
5. WAVE SOLDERING TEMPERATURE: $255 \sim 265^{\circ}\text{C}$ (5~10 SECONDS).
6. ROHS COMPLIANT



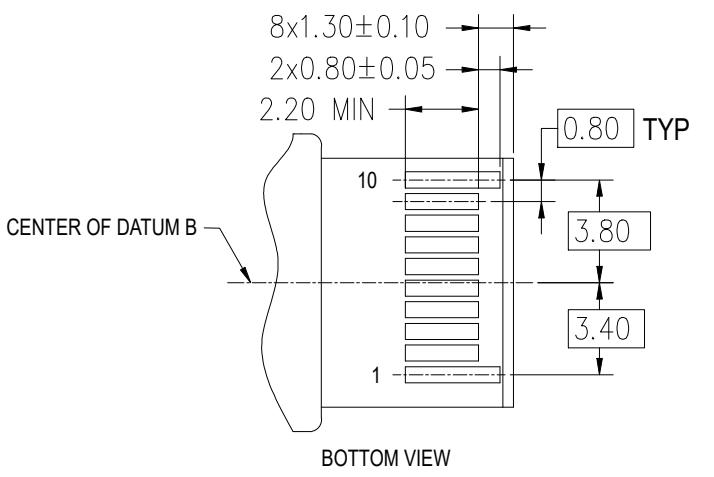
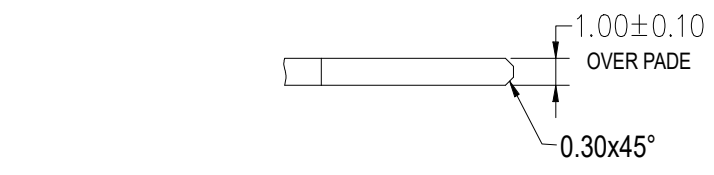
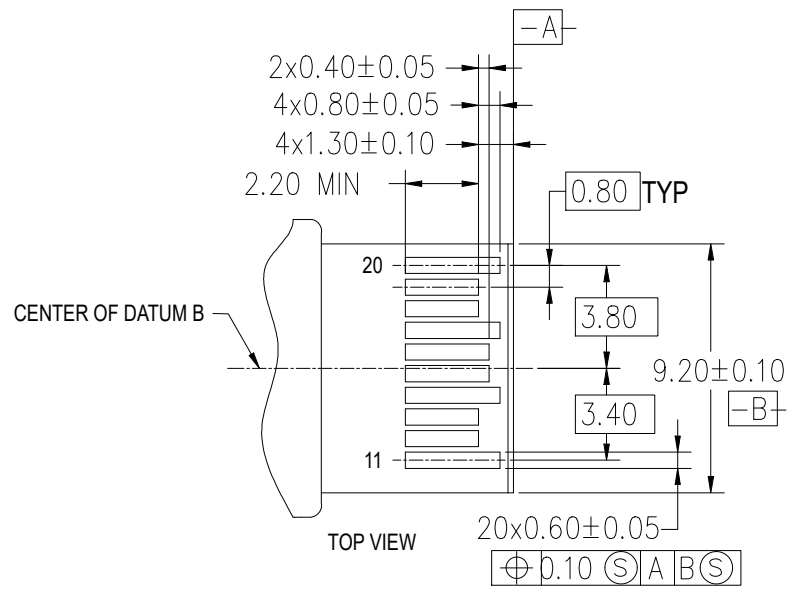
GENERAL TOLERANCE		ANGLE TOLERANCE		DRAWN	DATE		
.X	± 0.30	$\pm 1^{\circ}$		Ethan	10/07/24'		
.XX	± 0.25			CHECKED	DATE	PART NUMBER. 107-10054-01	
.XXX	± 0.15			APPROVED	DATE	DRAWING NO. 107-10054	
MATERIAL		SEE BOM				SIZE A4	
FINISH		SEE NOTES				REV. D	
SCALE		N/A	UNIT	mm			
SHEET		1 OF 2					

ITEM	NAME	Q'TY	DESCRIPTION	NOTE
2	CONTACT	20	COPPER ALLOY, AU 15U"MIN NI 50U"~100U" SN 50U"~100U"	
1	HOUSING	1	LCP, BLACK	UL94V-0

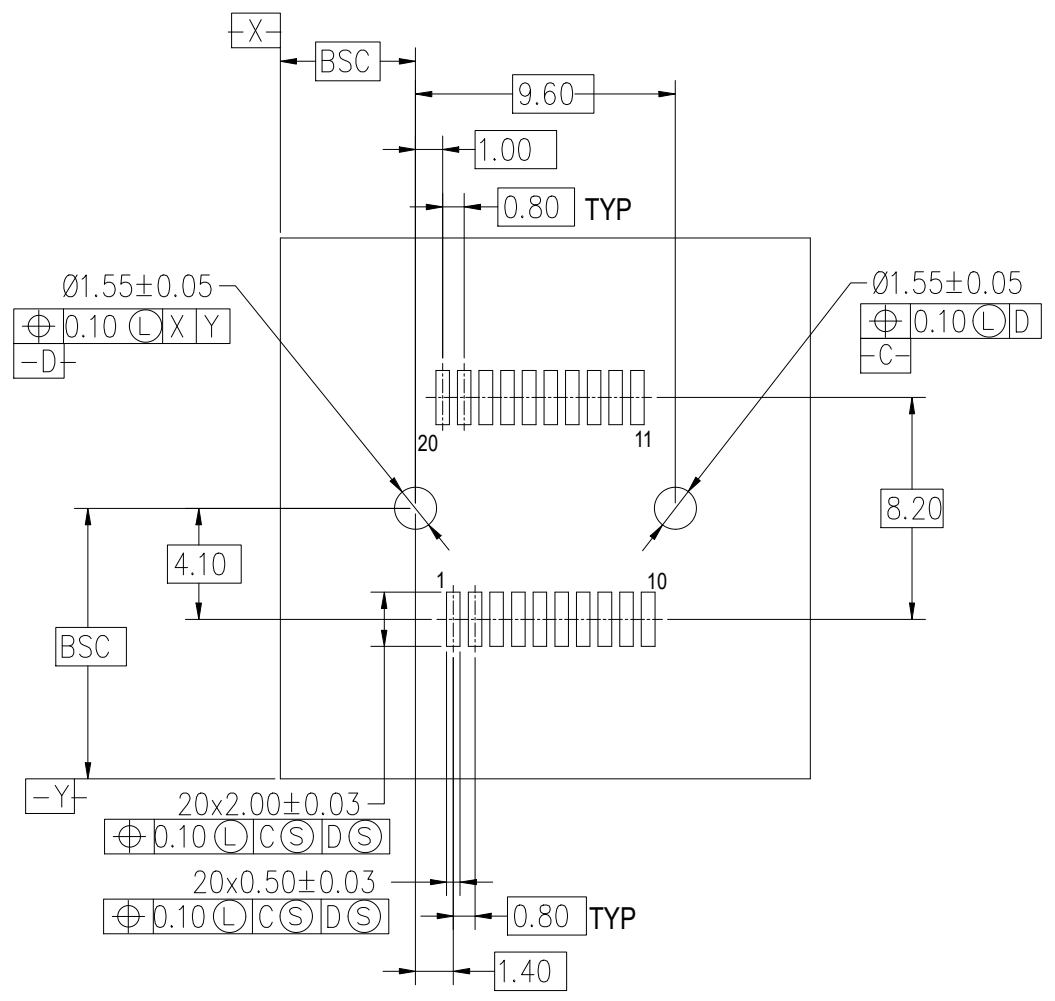
A
B
C
D
E

A
B
C
D
E

1 2 3 4 5 6 7 8



RECOMMENDED LAYOUT DETAIL MATING
TRANSCEIVER PCB



GENERAL TOLERANCE	ANGLE TOLERANCE	DRAWN	DATE	
.X ±0.30 .XX ±0.25 .XXX ±0.15	±1°	Ethan	10/07/24'	
MATL	SEE BOM	CHECKED	DATE	TITLE. SFP+ 1X1 CONNECTOR
FINISH	SEE NOTES	APPROVED	DATE	PART NUMBER. 107-10054-01
SCALE N/A	UNIT mm			DRAWING NO. 107-10054
SHEET 2 OF 2				SIZE A4 REV. D