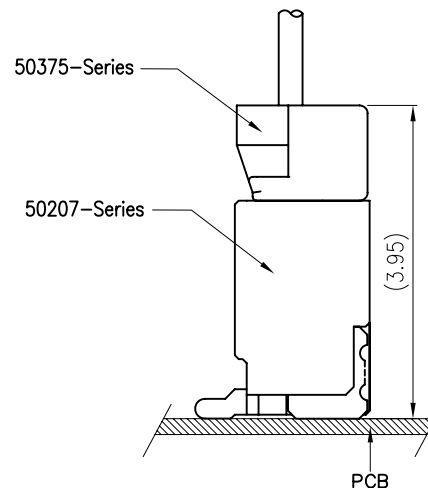
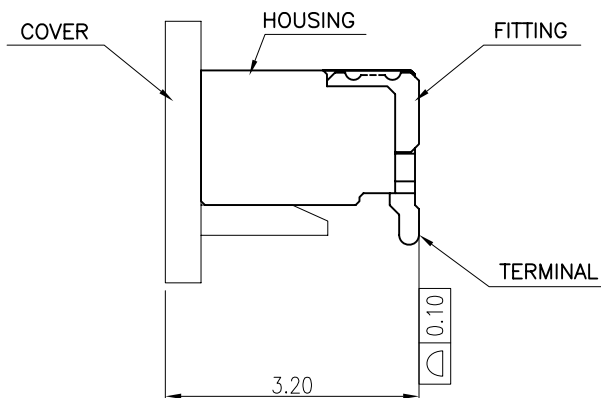
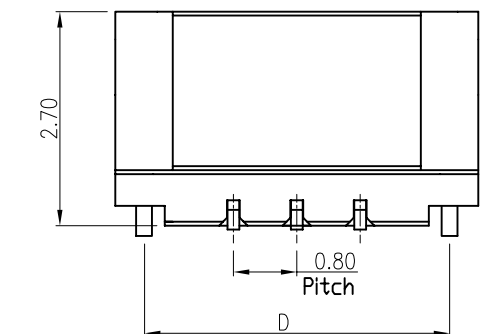
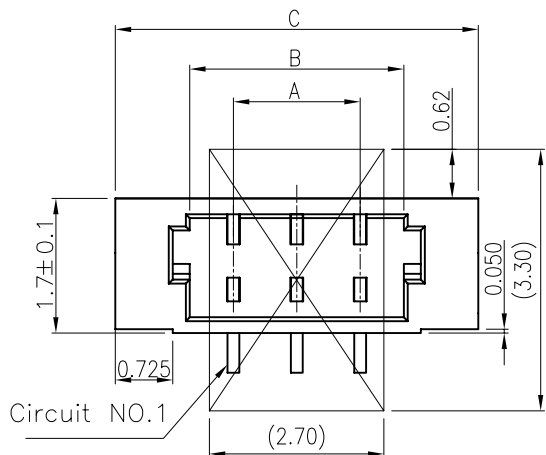
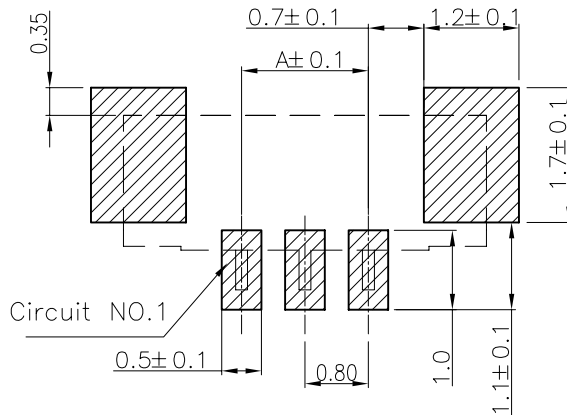
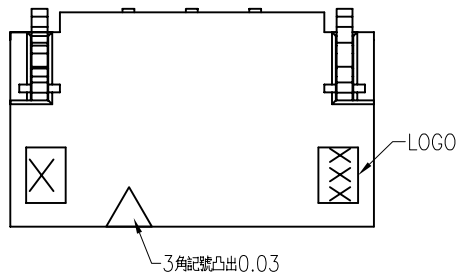




A | B | C | D | E | F



NOTES:

1.MATERIAL:

HOUSING: Halogen Free PLASTIC, HIGH TEMP. UL94V-0
 TERMINAL: PHOSPER BRONZE (t=0.15)
 FITTING NAIL: BRASS (t=0.2)

2.PLATING:

UNDERPLATING: 50u" MIN. NICKEL OVERALL.
 1: GOLD FLASH OVER ALL
 8: 4U" GOLD ON CONTACT AREA
 N: 100~200u" MATT TIN OVERALL
 T: 10U" GOLD ON CONTACT AREA

3.SPECIFICATION PLS. SEE PS-50208-XXXX

4.PACKING REFER TO 88459-XXXX-TRP

P/N LEGEND

50207-XXX X X-XXX

NO OF CKT	XXX	HOUSING COLOR	LOGO	Halogen free	Packing NO
	001	BLACK	ACES	HF	88459-XXXX-XXX-XX-TRP
PACKING	002	WHITE	ACES	HF	88459-XXXX-XXX-XX-TRP
	PLATING				
0: TAPE & REEL	1: GOLD FLASH OVER ALL (LEAD FREE)				
7: TAPE & REEL (WITH COVER)	T: 10U" GOLD ON CONTACT AREA				
8: TUBE (WITH COVER)					

CKT	Dim A	Dim B	Dim C	Dim D
2	0.80	1.90	3.78	3.04
3	1.60	2.70	4.58	3.84
4	2.40	3.50	5.38	4.64
5	3.20	4.30	6.18	5.44
6	4.00	5.10	6.98	6.24
7	4.80	5.90	7.78	7.04
8	5.60	6.70	8.58	7.84
9	6.40	7.50	9.38	8.64
10	7.20	8.30	10.18	9.44
11	8.00	9.10	10.98	10.24
12	8.80	9.90	11.78	11.04
13	9.60	10.70	12.58	11.84
14	10.40	11.50	13.38	12.64
15	11.20	12.30	14.18	13.44
16	12.00	13.10	14.98	14.24
17	12.80	13.90	15.78	15.04
18	13.60	14.70	16.58	15.84
19	14.40	15.50	17.38	16.64
20	15.20	16.30	18.18	17.44

一般公差
 TOLERANCES
 X ±0.5 XX ±0.15
 X ±0.25 XXX ±0.1
 ANGLES ±2°

宏致電子股份有限公司
 Aces Electronics Co., Ltd.

檢驗尺寸標示
 SYMBOLS ① ② INDICATE CLASSIFICATION DIMENSION
 ① MARK IS CRITICAL DIM.
 ② MARK IS MAJOR DIM.

品名 (TITLE)
 0.8mm Pitch WTB Header
 SMT S/T TYPE

圖號 (DWG NO.)
 50207-XXXXX-XXX

製圖 (DR)
 16/01/25 CHENYA

審核 (CHKD)
 BRAVE

核准 (APFD)
 FRANK

表面處理 (FINISH)

比例 (SCALE)
 4:1

單位 (UNITS)
 mm

張數 (SHEET)
 1 OF 1

SIZE
 A4

REV
 G

A | B | C | D | E | F