



NOTES:

- MATERIAL:
 - HOUSING: THERMOPLASTIC, HIGH TEMP., UL94V-0.
 - CONTACT: COPPER ALLOY
 - FITTING NAIL: COPPER ALLOY
- FINISH:
 - CONTACT:
 - UNDERPLATING: 50~100u" NICKEL OVERALL.
 - FINISH: SEE ORDER INFORMATION.
 - FITTING NAIL:
 - UNDERPLATING: 50~100u" NICKEL OVERALL.
 - FINISH: SEE ORDER INFORMATION.
- REFLOW SOLDER CAPABLE TO 260°C PER ACES SPEC.
- SPEC. PLS. REFER TO PS-50246-XXXX-XXX
- PACKAGE PLS. REFER TO 88107-XXOX-TRP
- COPLANARITY 0.1MM MAX. BASE ON DATUM A
- TRUE POSITION 0.1MM MAX. BASE ON DATUM B
- "Halogen Free" product:

PART NUMBER

P/N LEGEND

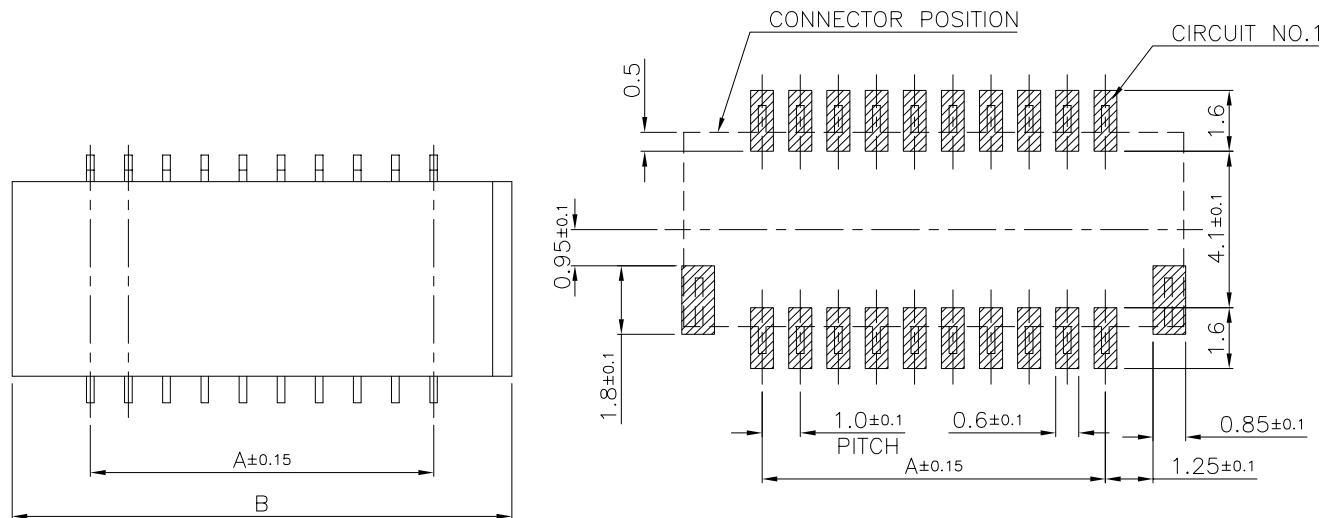
50246-XXX X X-XXX

XXX	MATERIAL&COLOR	PACKAGE
001	HF & BLACK	88107-xx0x-TRP
002	HF & NATURAL	88107-xx0x-TRP
004	HF & BLACK	88107-xx0x-01-TRP
005	HF & NATURAL	88107-xxxx-01-TRP

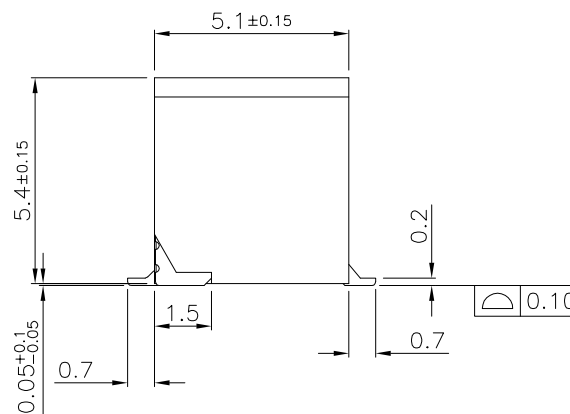
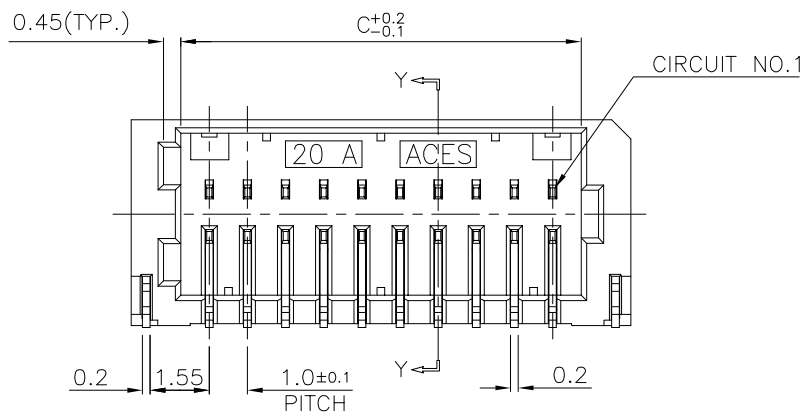
NO OF CKT
PACKING
0: TAPE REEL
1: TUBE PACKAGE

Plating
L: Lead Free (Pure Tin)
1: Gold Flash over all (Lead Free)
3: 1u" Gold on contact area (Lead Free)
N: Matt Tin (Lead Free)
C: 15u" Gold on contact area (Lead Free)
T: 10u" Gold on contact area (Lead Free)

CKT	Dim A	Dim B	Dim C	狀態欄
8	3.0	7.1	4.5	v
10	4.0	8.1	5.5	v
12	5.0	9.1	6.5	v
16	7.0	11.1	8.5	v
18	8.0	12.1	9.5	v
20	9.0	13.1	10.5	v
24	11.0	15.1	12.5	v
30	14.0	18.1	15.5	v
34	16.0	20.1	17.5	v
40	19.0	23.1	20.5	v
50	24.0	28.1	25.5	v
60	29.0	33.1	30.5	v

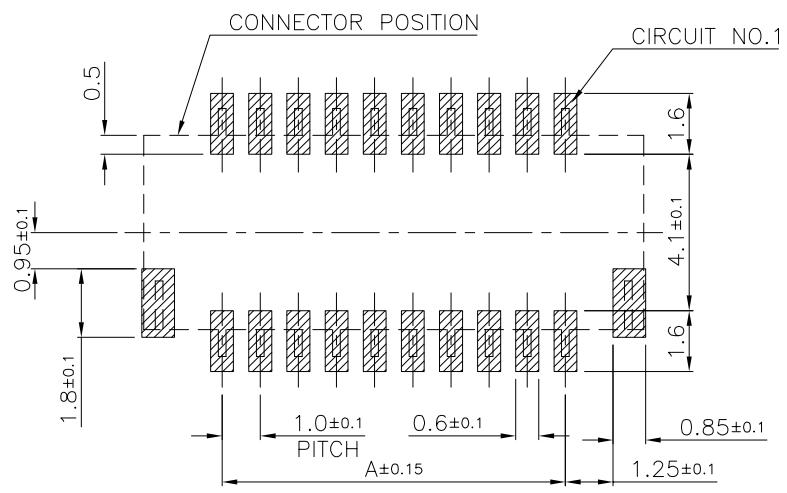
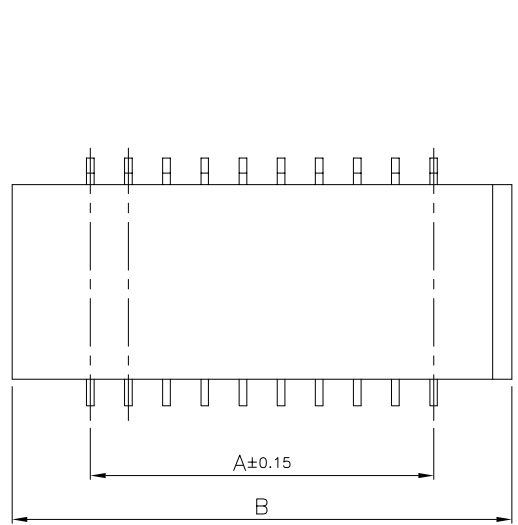


PCB PATTERN LAYOUT

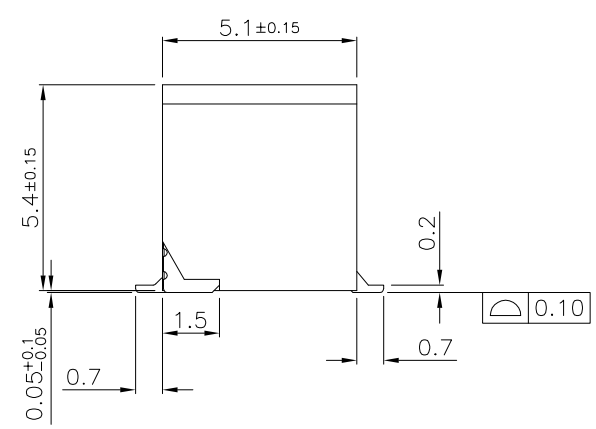
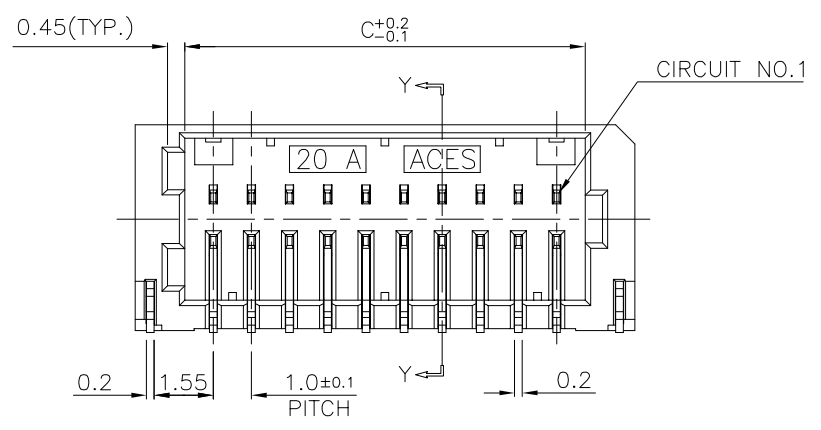


QUALITY SYMBOLS	DRAWN BY	DATE
MAJOR	GuoFei	24'/03/27
CRITICAL	CHECKED BY	DATE
	Xu.ZhiYong	24'/03/27
GENERAL TOLERANCES (UNLESS SPECIFIED)	APPROVED BY	DATE
X. ±0.5	Xu.ZhiYong	24'/03/27
.X ±0.25	UNITS	SIZE
.XX ±0.15	mm	A4
.XXX ±0.1	SCALE	SHEET NO.
ANGLES ±2°	1 : 1	1 OF 3

		TITLE	
		1.0mm WT B WAFER SMT R/A D/R TYPE	
RFQ NO.	N/A		
DWG NO.	50246-XXXXX-XXX		



PCB PATTERN LAYOUT



- NOTES:
- MATERIAL:
 - HOUSING: THERMOPLASTIC, HIGH TEMP., UL94V-0.
 - CONTACT: COPPER ALLOY
 - FITTING NAIL: COPPER ALLOY
 - FINISH:
 - CONTACT:
 - UNDERPLATING: 50~100u" NICKEL OVERALL. FINISH: SEE ORDER INFORMATION.
 - FITTING NAIL:
 - UNDERPLATING: 50~100u" NICKEL OVERALL. FINISH: SEE ORDER INFORMATION.
 - REFLOW SOLDER CAPABLE TO 260°C PER ACES SPEC.
 - SPEC. PLS. REFER TO PS-50246-xxxx-xxx
 - PACKAGE PLS. REFER TO 88107-XXOX-TRP
 - COPLANARITY 0.1MM MAX. BASE ON DATUM A
 - TRUE POSITION 0.1MM MAX. BASE ON DATUM B
 - "Halogen Free" product:

PART NUMBER
P/N LEGEND
50246-XXX X X-XXX

XXX	MATERIAL&COLOR	GWTL&GWFI
003	III* & BLACK	Y

NO OF CKT
PACKING
0: TAPE REEL
1: TUBE PACKAGE

Plating
L: Lead Free (Pure Tin)
1: Gold Flash over all (Lead Free)
N: Matt Tin (Lead Free)
C: 15u" Gold on contact area (Lead Free)
T: 10u" Gold on contact area (Lead Free)

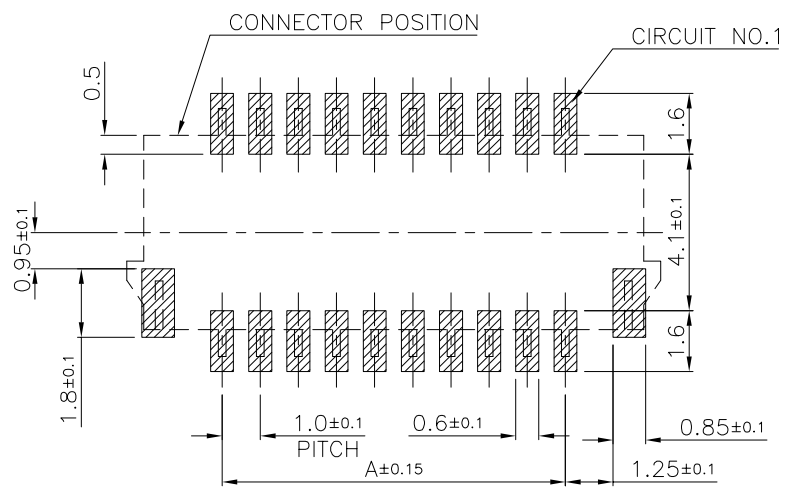
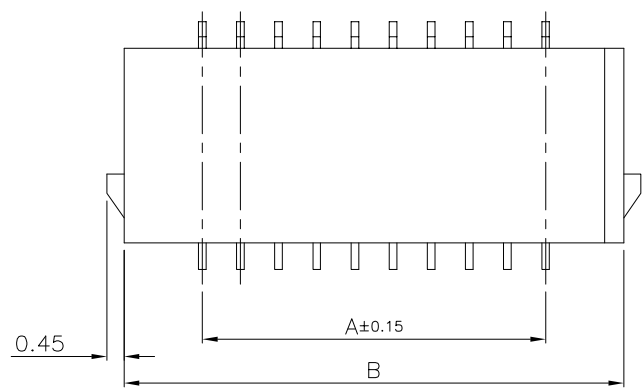
CKT	Dim A	Dim B	Dim C	狀態欄
8	3.0	7.1	4.5	v
10	4.0	8.1	5.5	v
12	5.0	9.1	6.5	v
16	7.0	11.1	8.5	v
18	8.0	12.1	9.5	v
20	9.0	13.1	10.5	v
24	11.0	15.1	12.5	v
30	14.0	18.1	15.5	v
34	16.0	20.1	17.5	v
40	19.0	23.1	20.5	v
50	24.0	28.1	25.5	v
60	29.0	33.1	30.5	v

QUALITY SYMBOLS MAJOR Ⓢ CRITICAL Ⓢ GENERAL TOLERANCES (UNLESS SPECIFIED) X. ±0.5 .X ±0.25 .XX ±0.15 .XXX ±0.1 ANGLES ±2°	DRAWN BY GuoFei DATE 24'/03/27		TITLE 1.0mm WTB WAFER SMT R/A D/R TYPE	
	CHECKED BY Xu.ZhiYong DATE 24'/03/27			RFRQ NO. N/A
	APPROVED BY Xu.ZhiYong DATE 24'/03/27	UNITS mm	SIZE A4	DWG NO. 50246-XXXXX-XXX
	SCALE 1 : 1	SHEET NO. 2 OF 3	REV J	

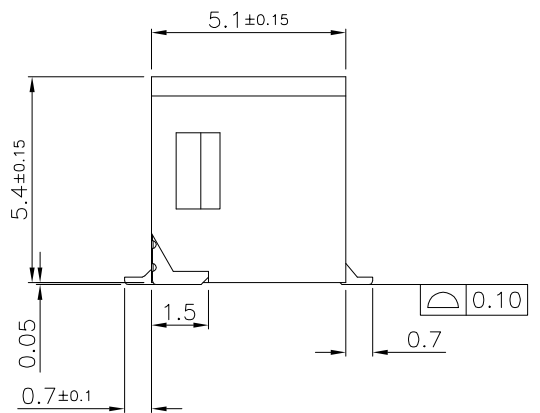
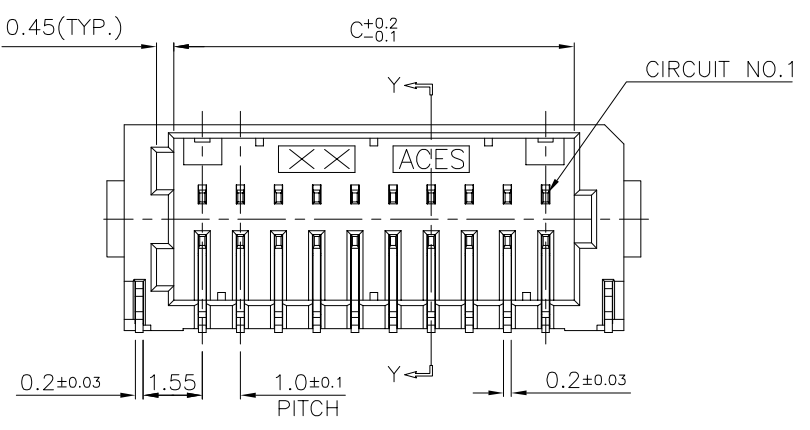


A B C D E F G H I J

1
2
3
4
5
6
7



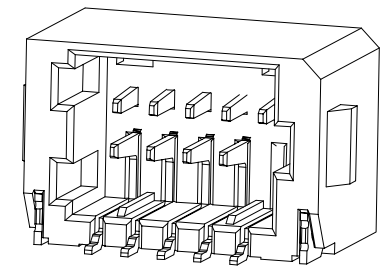
PCB PATTERN LAYOUT



- NOTES:
- MATERIAL:
 - HOUSING: THERMOPLASTIC, HIGH TEMP., UL94V-0.
 - CONTACT: COPPER ALLOY
 - FITTING NAIL: COPPER ALLOY
 - FINISH:
 - CONTACT:
 - 50u" MIN. NICKEL UNDERPLATING OVERALL. N:100u" MIN MATTE TIN ON CONTACT AND SOLDER AREA.
 - FITTING NAIL:
 - 50u" MIN. NICKEL UNDERPLATING OVERALL. N:80u" MIN MATTE TIN PLATING
 - REFLOW SOLDER CAPABLE TO 260°C PER ACES SPEC.
 - SPEC. PLS. REFER TO PS-50246-xxxx-xxx
 - PACKAGE PLS. REFER TO 50246-XXXX-XX-TRP
 - COPLANARITY 0.1MM MAX. BASE ON DATUM A
 - TRUE POSITION 0.1MM MAX. BASE ON DATUM B
 - "Halogen Free" product:

P/N LEGEND
50246-XXX X X-XXX

NO OF CKT	XXX	MATERIAL&COLOR	PACKAGE
PACKING	006	HTN & BLACK	50246-xxxx-xx-TRP
0:TAPE REEL		Plating	N:Matt Tin(Lead Free)



CKT	Dim A	Dim B	Dim C
10	4.0	8.1	5.5
12	5.0	9.1	6.5

QUALITY SYMBOLS MAJOR Ⓢ CRITICAL Ⓢ GENERAL TOLERANCES (UNLESS SPECIFIED) X. ±0.5 .X ±0.25 .XX ±0.15 .XXX ±0.1 ANGLES ±2°	DRAWN BY	DATE		TITLE 1.0mm WTB WAFER SMT R/A D/R TYPE
	GuoFei	24'/03/27		
	CHECKED BY	DATE		
	Xu.ZhiYong	24'/03/27		
APPROVED BY	DATE	RFQ NO.	N/A	
Xu.ZhiYong	24'/03/27			
UNITS	SCALE	SIZE		DWG NO.
mm	1 : 1	A4	50246-XXXX-XXX	
SCALE	SHEET NO.	REV		
1 : 1	3 OF 3	J		

B C D E F G H I J